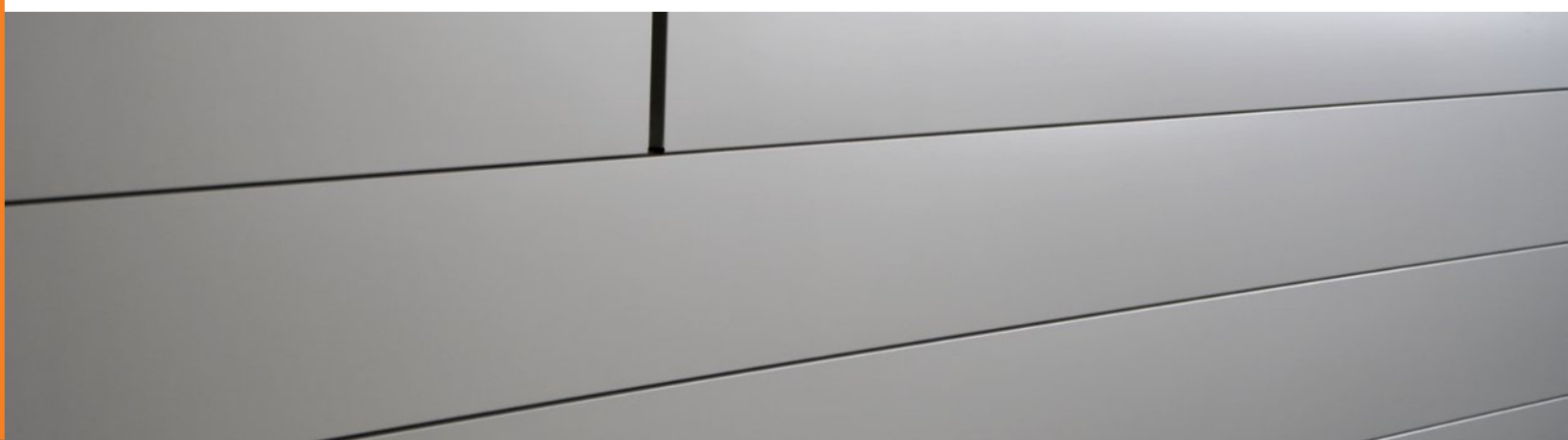


Taborsky

Trapezoid profiles, corrugated profiles, roof tiles



Siding profiles



Taborsky siding profiles have been specially developed for use as mounted, rear-ventilated façades.

The system is characterised by its quick and easy installation with its concealed attachment and durability.

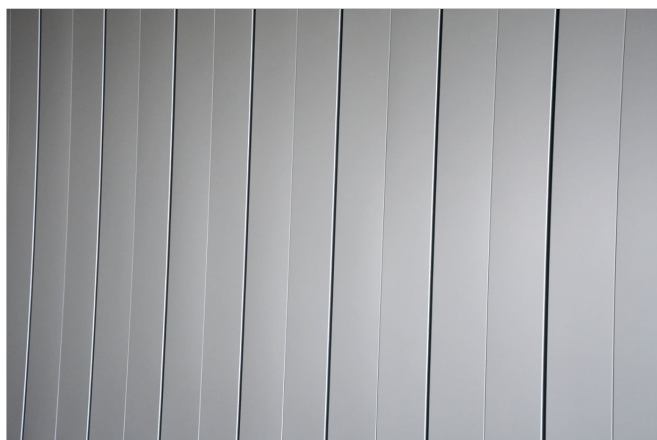
The façade system also offers design freedom due to different surface configurations and colours which can be combined as required.

These combination options lead to individual and unique façades.

Contents

Page

1. Siding profiles, versions	03
2. Material and colours	04
3. Load table	04
4. Connecting and end profiles, special constructions	05
5. Special panels	06
6. General information	07



VVO vertical



VVU indent



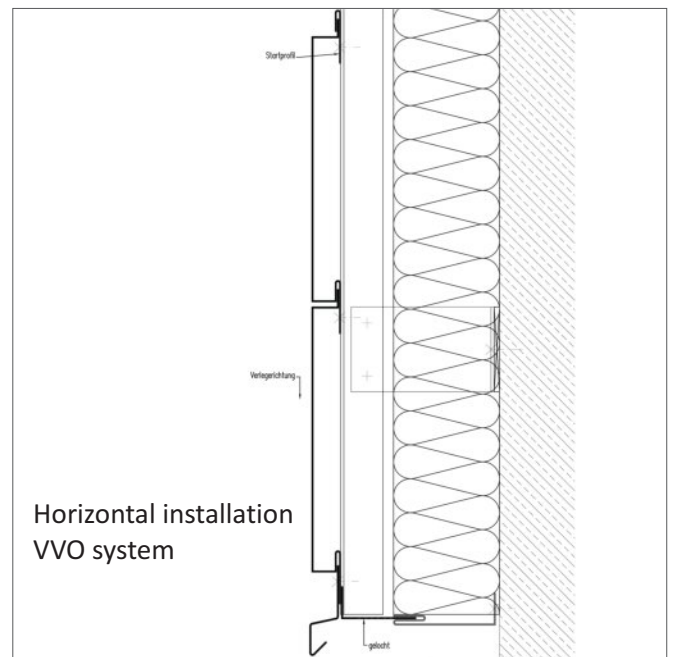
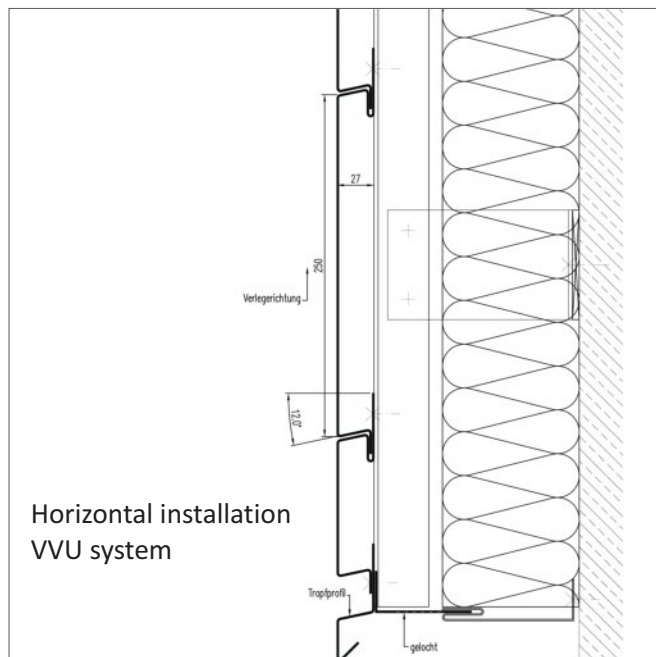
VVU astragal



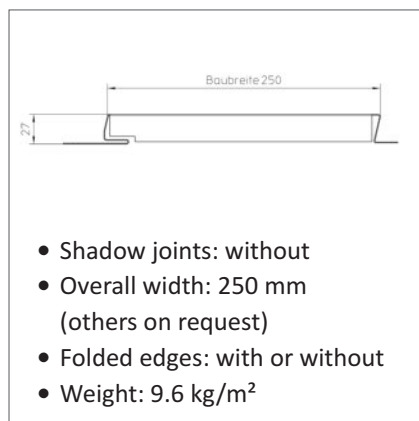
VVU smooth

Taborsky siding profiles can be installed both horizontally and vertically. The siding profiles can also be fitted at any angle of inclination.

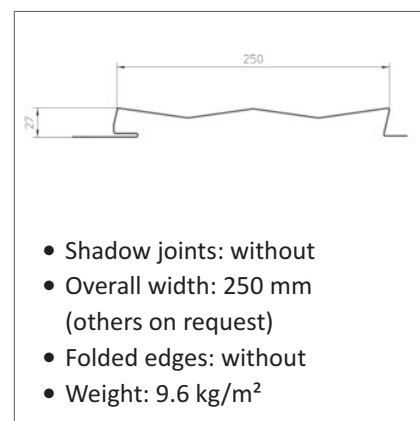
There are generally two installation systems for the Taborsky siding profiles. The VVU system provides the installation direction from bottom to top and the VVO system provides the installation direction from top to bottom for horizontal installation. Shadow joints can also be implemented with the VVO system.



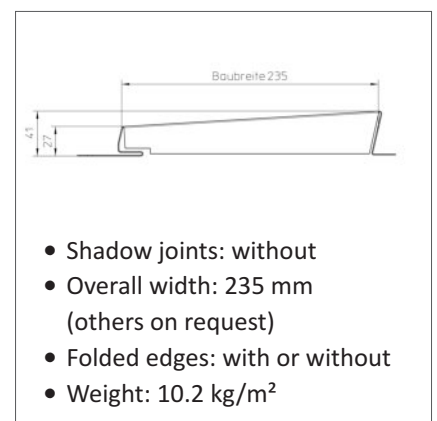
VVU siding, smooth version



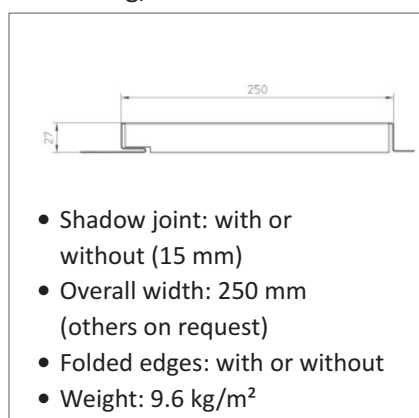
VVU siding, indent version



VVU siding, astragal version



VVO siding, smooth version



The siding profiles are manufactured with a length of up to 6000 mm and a maximum construction width of 250 mm. Elongated holes for the completion of sliding points are punched on the attachment lug in the factory. The profile configurations of the VVU system can be combined with each other.

However, it is not possible to combine the VVU system with the VVO system.

Taborsky sidings consist of galvanised and coated sheet steel. The sidings are therefore highly weather resistant and durable. The steel sheet is S320GD with a sheet thickness of 0.75 mm. The high-quality 25 µm polyester coating is available in different colours.

Siding profiles with standard Taborsky colours are available at short notice. Special colours are possible on request.



Due to the printing technique, the colours shown are only approximations. We will be pleased to send you original colour samples on request.

Load table

The table value indicates the highest permitted characteristic wind load (suction and/or pressure) in kN/m². Material safety factor = 1, 10, deflection limit with L/200

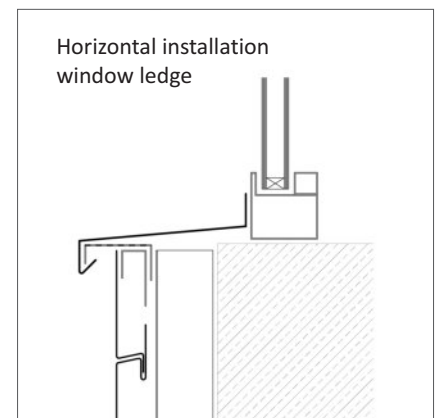
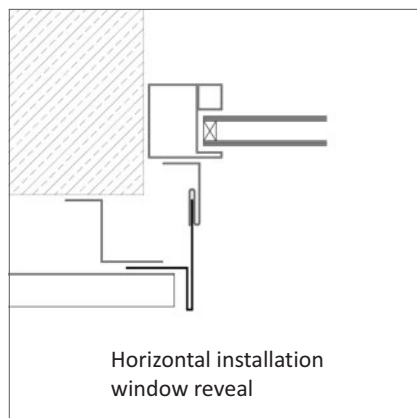
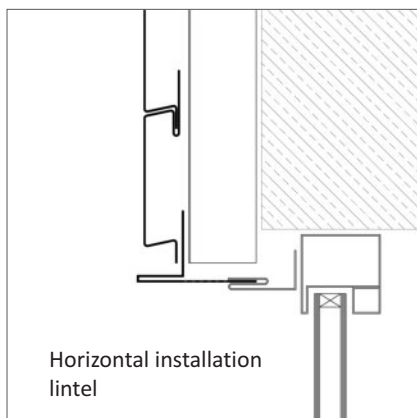
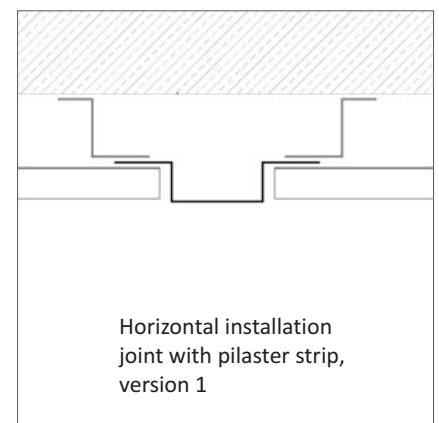
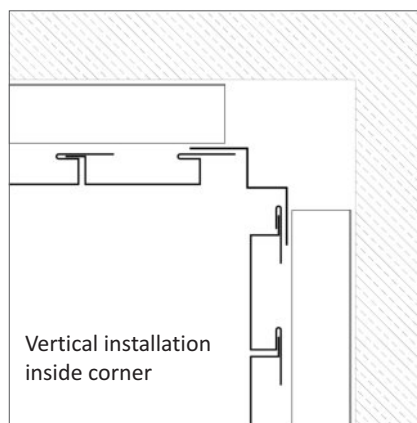
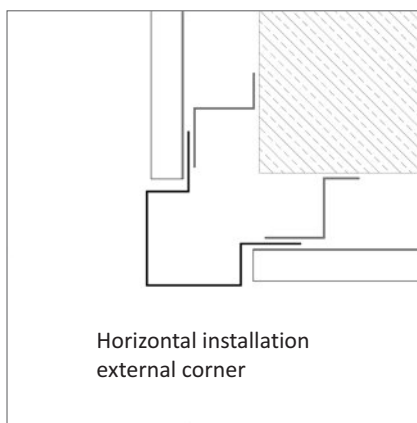
Profile	Static system	Support width [m]							
		1,0	1,2	1,4	1,6	1,8	2,0	2,2	2,4
VVO smooth	1-field	3,84	2,14	1,49	1,00	0,70	0,51	0,38	0,30
	2-field	4,25	2,95	2,17	1,66	1,31	1,06	0,88	0,74
	Multi-field	4,95	3,44	2,53	1,93	1,44	1,05	0,79	0,61
VVO smooth with shadow joint	1-field	4,06	2,26	1,56	1,05	0,74	0,54	0,40	0,31
	2-field	4,17	2,90	2,13	1,63	1,29	1,04	0,86	0,72
	Multi-field	5,05	3,51	2,58	1,97	1,51	1,10	0,83	0,64
VVU smooth	1-field	3,89	2,16	1,51	1,01	0,71	0,52	0,39	0,30
	2-field	4,11	2,86	2,10	1,61	1,27	1,03	0,85	0,71
	Multi-field	4,97	3,45	2,54	1,94	1,46	1,07	0,80	0,62
VVO astragal	1-field	5,31	2,95	2,17	1,66	1,23	0,89	0,67	0,52
	2-field	4,66	3,23	2,38	1,82	1,44	1,16	0,96	0,81
	Multi-field	5,63	3,91	2,87	2,20	1,74	1,41	1,16	0,98
VVO indent	1-field	4,05	2,81	1,80	1,20	0,85	0,62	0,46	0,36
	2-field	3,48	2,41	1,77	1,36	1,07	0,87	0,72	0,60
	Multi-field	4,21	2,92	2,15	1,64	1,30	1,05	0,87	0,73

Taborsky also manufactures edged parts as connection and end profiles which match the Taborsky siding profiles.

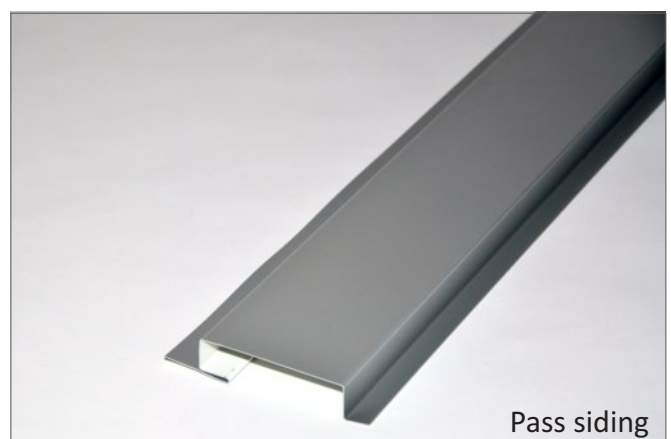
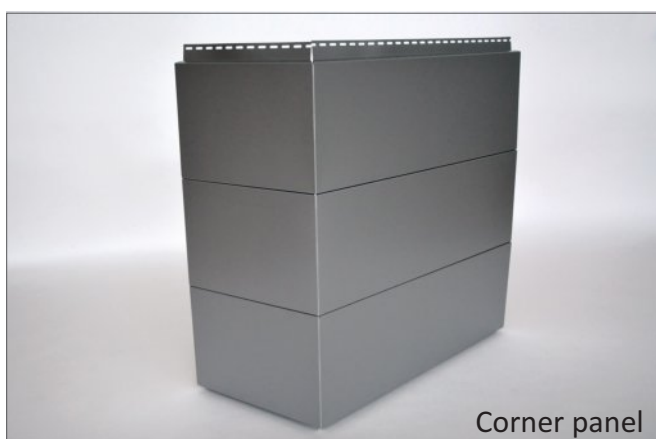
Individual edged parts are made according to your sketches and drawings. Please state all dimensions (lengths and angles) with your enquiry or order.

Production possibilities:

- Edged part length up to 6000 mm
- Maximum sheet thicknesses:
 - Steel 1.5 mm
 - Aluminium 2 mm
 - Stainless steel 1 mm
- Tapered edged parts possible
- Punching and notching possible



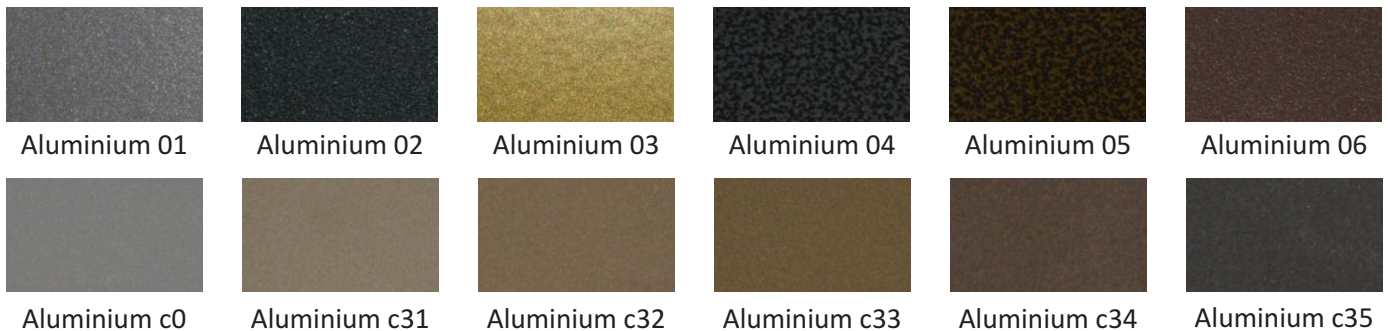
Individual construction widths can be made in addition to standard construction widths. It is naturally the case that individual profile designs are possible. In addition to fitting sidings for perfect façade closures, corner sidings are also possible.



Taborsky manufactures individual plug-in and box panels on request. These façade panels can be made from different materials such as steel, aluminium, copper, stainless steel or zinc. Façade panels with different construction widths can be made according to the material and sheet thickness.

Due to the wide variety of profiles, different materials and sheet thicknesses, in contrast to the standard Taborsky siding profiles, there are no load tables for the special panels. Project-specific static proof can be provided, though.

Aluminium can be supplied with a strip coating, a powder coating or an anodised finish.



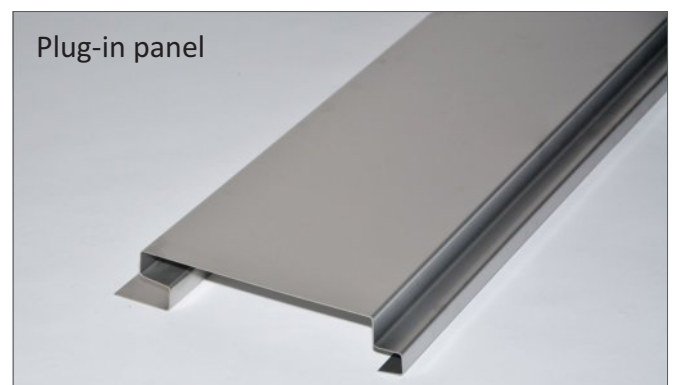
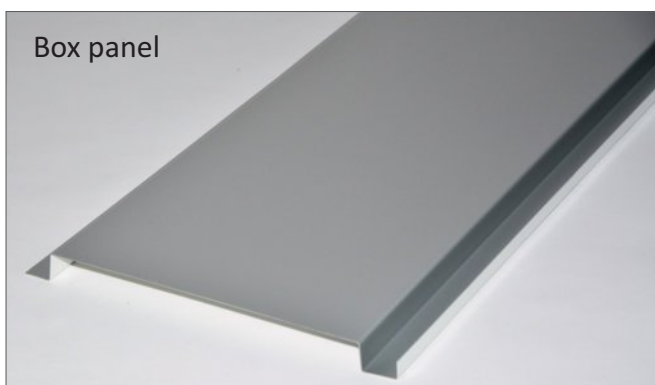
Stainless steel profiles are available with different surface finishes.



Copper can be delivered in bright-rolled or pre-patinated form. Alloys such as brass and bronze are also possible.



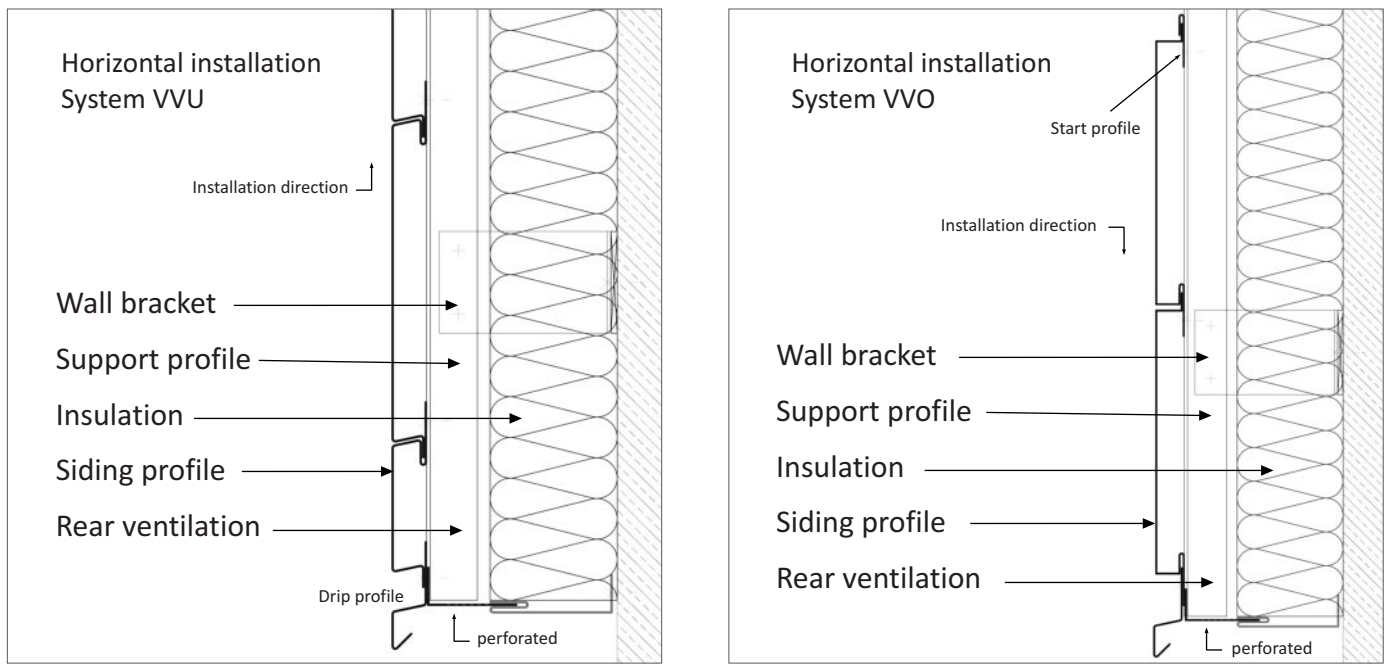
Titanium zinc can be prepared in different designs.



Structure of VHF system

Taborsky sidings have been specially developed for use as mounted, rear-ventilated façades.

The structure of a classic mounted, rear-ventilated façade consists of the substructure, the façade insulation, the rear-ventilation gap and the façade cladding.



Technical specifications of siding profiles

Taborsky sidings are supplied as a self-supporting wall cladding element with the CE mark according to EN 14782. The tolerances of the profiles are regulated according to EN 508 and/or the factory standard, but considerable importance is attributed to the dimensional accuracy during the manufacturing. This dimensional accuracy is ensured by our in-house production control.

Siding profiles from Taborsky are manufactured to the required length of between 300 mm and 6000 mm. In this way, the profiles are adapted individually to a building. For flawless building closures, however, pass sidings are also manufactured in different widths.

Attachment, finishing

For the attachment of the Taborsky sidings, stainless steel thread-form fasteners are recommended. Due to the temperature-related expansion of the profiles, special care must be taken to ensure that the attachment is free from constraints. For this purpose, elongated holes are punched in the mounting bracket at the factory. A fixed point is to be placed in the middle of each Taborsky siding.

If profiles have to be cut, only suitable tools and machines may be used. Flying sparks and high heat generation should be avoided at all times.

Taborsky

Trapezoid profiles, corrugated profiles, roof tiles

Taborsky Vertriebsges.m.b.H. & Co KG

Hans Taborsky-Straße 2

A-2440 Gramatneusiedl

Tel. +43 (0)2234 74 008

office@taborskyprofil.com

www.taborskyprofil.com

