

Taborsky

Trapezoidal profile, corrugated profile, roof tile

Edged parts, coils and sheet metal



www.TABORSKYPROFIL.com

Contents

Edged parts	1
General	1
Material and colour	1
Technical specifications	1
Ridge cap	2
Pent roof ridge	2
Gable 1	2
Gable 2	3
Rain channel	3
Snow guard	3
Gutter inflow sheet	4
Wall flashing 1	4
Wall flashing 2	4
Wall flashing 3	5
Wall flashing 4	5
Edging 1	5
Edging 2	6
Internal corner	6
External corner	6
Drip pan	7
Z profile	7
U profile	7
Cap profile	8
Longitudinal beam 1	8
Longitudinal beam 2	8
Individual edged parts	9
Coils	10
Sheet metal	10
Notes	11

Edged parts

GENERAL

We produce individual edged parts in accordance with your specifications. Edged parts are used to edge closures, clad corners and edges and to close openings in a building. Send us a sketch of your individual edged part and you will receive a free, non-binding quote.

MATERIAL AND COLOURS

Edged parts are available in all Taborsky RAL standard colours. Please see our colour card for the sheet thicknesses and the RAL standard colours. Since the blanks for the edged parts are made from a coil coated thin sheet with a standard width, we carry out cut optimisation. The edged parts are then formed from the finished blanks. In order to guarantee optimal accuracy of fit for the edged parts, it must be specified for all dimensions whether they are internal or external dimensions. You should also indicate the coating side of the edged part. The coating side is the side with the RAL standard colour. The coating side is defined with A or B. For edged parts, a protective film is applied to the coating side in the factory (excluding wrinkle coatings). However, the protective film only offers short-term protection of the coating and must therefore be removed after 2 weeks at the latest. For production reasons, not all dimensions of edged parts can be manufactured. Wavy edges may occur in edged parts without beading.

TECHNICAL SPECIFICATIONS

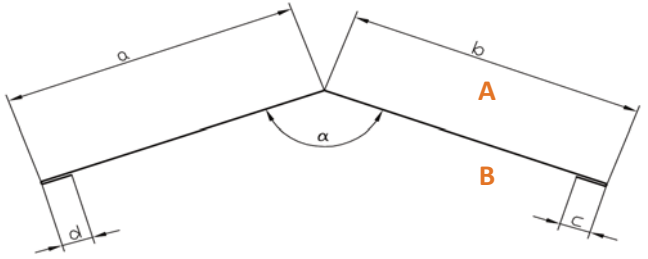
Edged parts are produced with a length of 4 m as standard. However, our machines offer the possibility of producing edged parts up to a length of 6.4 m.

Maximum length:	6400mm
Sheet thicknesses:	0.5mm–1mm (see Taborsky RAL standard colour table)
Lemovanie:	min. 15mm for a sheet thickness of 0.6 mm min. 20mm for a sheet thickness of 0.75mm

Our sales team will of course be happy to answer any questions you may have!

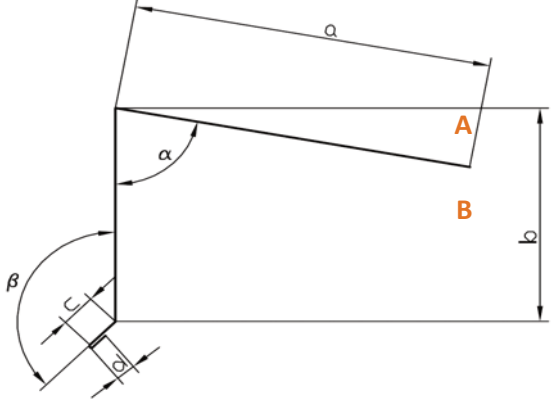
Ridge cap

Edged part dimensions:		Edged part angle:	
a=	mm	α =	°
b=	mm		
c=	mm		
d=	mm		
Edged part length:		L=	mm
Sheet thickness:		t=	mm
RAL colour:			
Coating site:			(A/B)
Number:			pieces



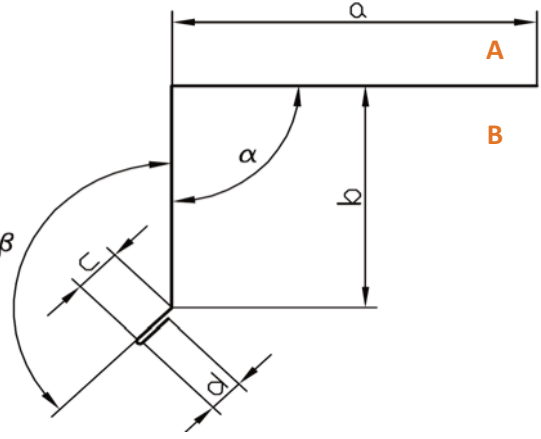
Pent roof ridge

Edged part dimensions:		Edged part angle:	
a=	mm	α =	°
b=	mm	β =	°
c=	mm		
d=	mm		
Edged part length:		L=	mm
Sheet thickness:		t=	mm
RAL colour:			
Coating site:			(A/B)
Number:			pieces



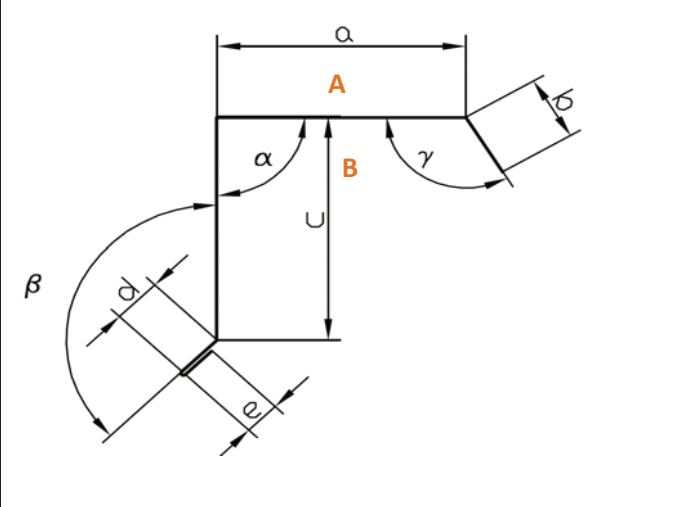
Gable 1

Edged part dimensions:		Edged part angle:	
a=	mm	α =	°
b=	mm	β =	°
c=	mm		
d=	mm		
Edged part length:		L=	mm
Sheet thickness:		t=	mm
RAL colour:			
Coating site:			(A/B)
Number:			pieces



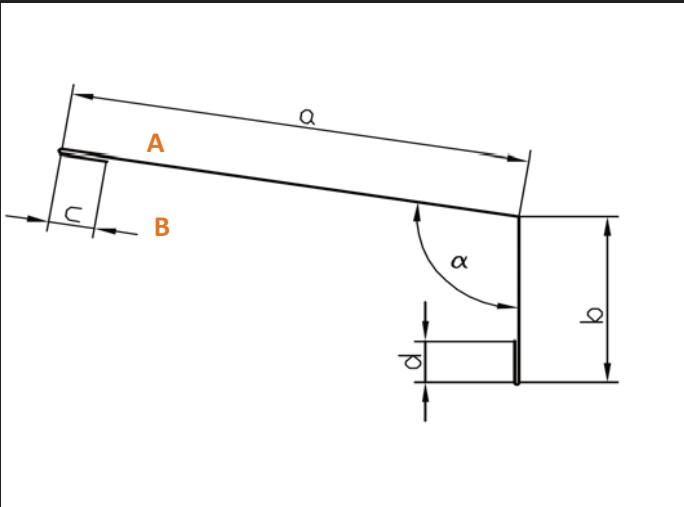
Gable 2

Edged part dimensions:		Edged part angle:	
a=	mm	α =	°
b=	mm	β =	°
c=	mm	γ =	°
d=	mm		
e=	mm		
Edged part length:		L=	mm
Sheet thickness:		t=	mm
RAL colour:			
Coating site:			(A/B)
Number:			pieces



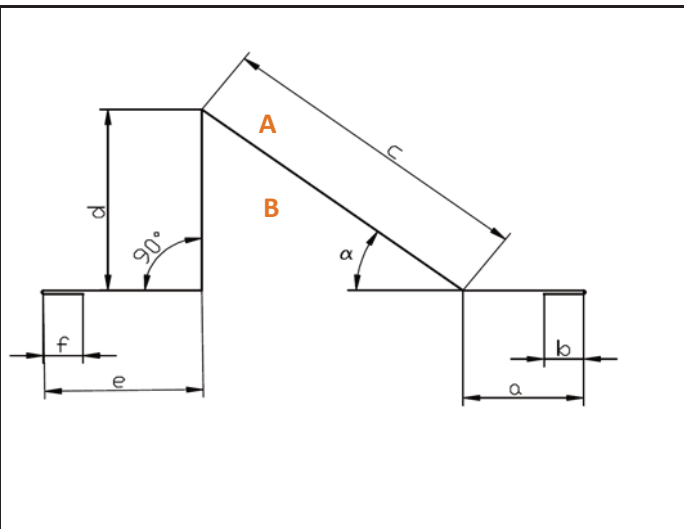
Rain channel

Edged part dimensions:		Edged part angle:	
a=	mm	α =	°
b=	mm		
c=	mm		
d=	mm		
Edged part length:		L=	mm
Sheet thickness:		t=	mm
RAL colour:			
Coating site:			(A/B)
Number:			pieces



Snow guard

Edged part dimensions:		Edged part angle:	
a=	mm	α =	°
b=	mm		
c=	mm		
d=	mm		
e=	mm		
f=	mm		
Edged part length:		L=	mm
Sheet thickness:		t=	mm
RAL colour:			
Coating site:			(A/B)
Number:			pieces



Gutter inflow sheet

Edged part dimensions:		Edged part angle:	
a=	mm	α =	°
b=	mm		
c=	mm		
Edged part length:		L=	mm
Sheet thickness:		t=	mm
RAL colour:			
Coating site:			(A/B)
Number:			pieces

Wall flashing 1

Edged part dimensions:		Edged part angle:	
a=	mm	α =	°
b=	mm		
c=	mm		
Edged part length:		L=	mm
Sheet thickness:		t=	mm
RAL colour:			
Coating site:			(A/B)
Number:			pieces

Wall flashing 2

Edged part dimensions:		Edged part angle:	
a=	mm	α =	°
b=	mm	β =	°
c=	mm		
Edged part length:		L=	mm
Sheet thickness:		t=	mm
RAL colour:			
Coating site:			(A/B)
Number:			pieces

Wall flashing 3

Edged part dimensions:		Edged part angle:	
a=	mm	α =	°
b=	mm	β =	°
c=	mm		
d=	mm		
Edged part length:		L=	mm
Sheet thickness:		t=	mm
RAL colour:			
Coating site:			(A/B)
Number:			pieces

Wall flashing 4

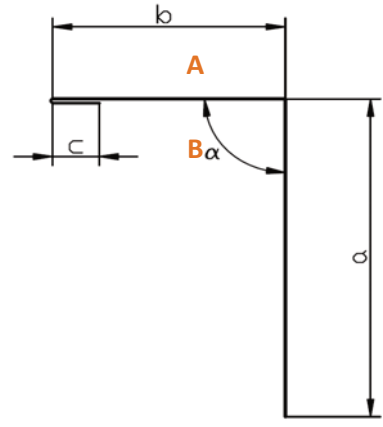
Edged part dimensions:		Edged part angle:	
a=	mm	α =	°
b=	mm	β =	°
c=	mm	γ =	°
d=	mm		
Edged part length:		L=	mm
Sheet thickness:		t=	mm
RAL colour:			
Coating site:			(A/B)
Number:			pieces

Edging 1

Edged part dimensions:		Edged part angle:	
a=	mm	α =	°
b=	mm	β =	°
c=	mm		
d=	mm		
Edged part length:		L=	mm
Sheet thickness:		t=	mm
RAL colour:			
Coating site:			(A/B)
Number:			pieces

Edging 2

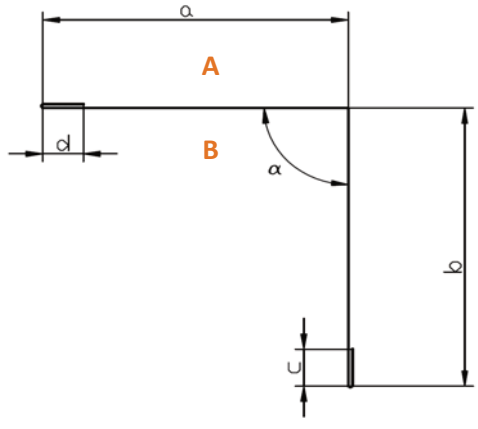
Edged part dimensions:		Edged part angle:	
a=	mm	$\alpha=$	°
b=	mm		
c=	mm		
Edged part length:		L=	mm
Sheet thickness:		t=	mm
RAL colour:			
Coating site:			(A/B)
Number:			pieces



The diagram shows a cross-section of the Edging 2 profile. It features a horizontal top flange of width 'b' and a vertical stem of height 'a'. A small lip of width 'c' is on the left side of the top flange. The angle between the top flange and the stem is labeled α . The top flange is labeled 'A' and the stem is labeled 'B'.

Internal corner

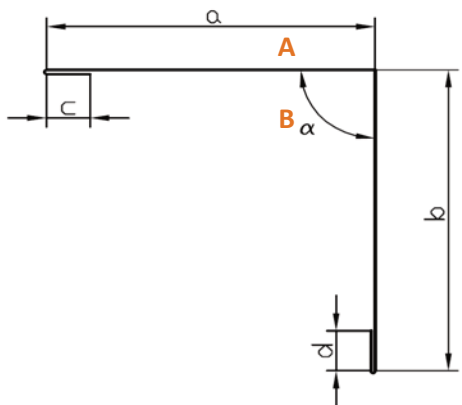
Edged part dimensions:		Edged part angle:	
a=	mm	$\alpha=$	°
b=	mm		
c=	mm		
d=	mm		
Edged part length:		L=	mm
Sheet thickness:		t=	mm
RAL colour:			
Coating site:			(A/B)
Number:			pieces



The diagram shows a cross-section of the Internal corner profile. It features a horizontal top flange of width 'a' and a vertical stem of height 'b'. A lip of width 'd' is on the left side of the top flange. The angle between the top flange and the stem is labeled α . The top flange is labeled 'A' and the stem is labeled 'B'.

External corner

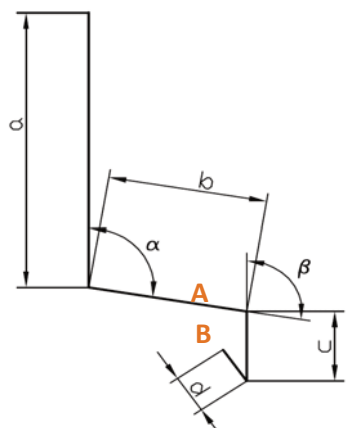
Edged part dimensions:		Edged part angle:	
a=	mm	$\alpha=$	°
b=	mm		
c=	mm		
d=	mm		
Edged part length:		L=	mm
Sheet thickness:		t=	mm
RAL colour:			
Coating site:			(A/B)
Number:			pieces



The diagram shows a cross-section of the External corner profile. It features a horizontal top flange of width 'a' and a vertical stem of height 'b'. A lip of width 'c' is on the left side of the top flange. The angle between the top flange and the stem is labeled α . The top flange is labeled 'A' and the stem is labeled 'B'.

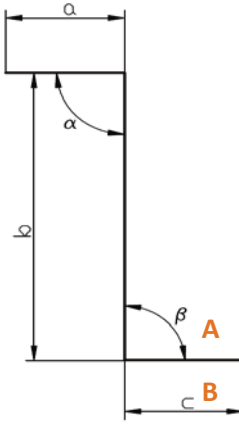
Drip pan

Edged part dimensions:		Edged part angle:	
a=	mm	α =	°
b=	mm	β =	°
c=	mm		
d=	mm		
Edged part length:		L=	mm
Sheet thickness:		t=	mm
RAL colour:			
Coating site:			(A/B)
Number:			pieces



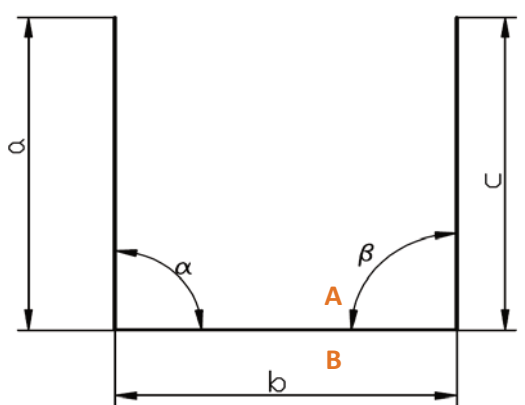
Z profile

Edged part dimensions:		Edged part angle:	
a=	mm	α =	°
b=	mm	β =	°
c=	mm		
Edged part length:		L=	mm
Sheet thickness:		t=	mm
RAL colour:			
Coating site:			(A/B)
Number:			pieces



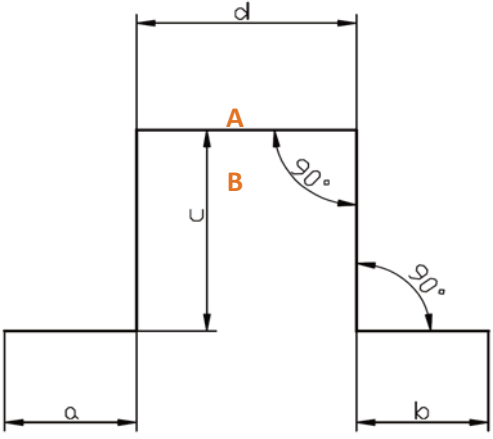
U profile

Edged part dimensions:		Edged part angle:	
a=	mm	α =	°
b=	mm	β =	°
c=	mm		
Edged part length:		L=	mm
Sheet thickness:		t=	mm
RAL colour:			
Coating site:			(A/B)
Number:			pieces



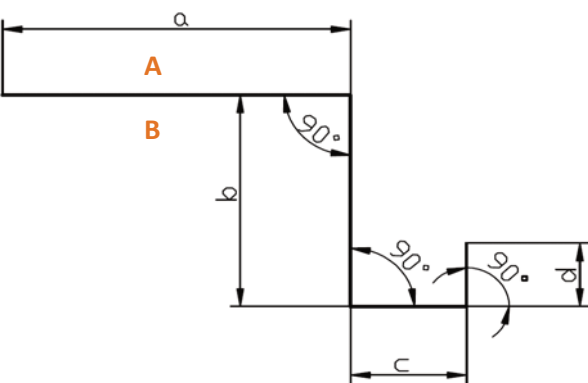
Cap profile

Edged part dimensions:		Edged part angle:	
a=	mm		
b=	mm		
c=	mm		
d=	mm		
Edged part length:		L=	mm
Sheet thickness:		t=	mm
RAL colour:			
Coating site:			(A/B)
Number:			pieces



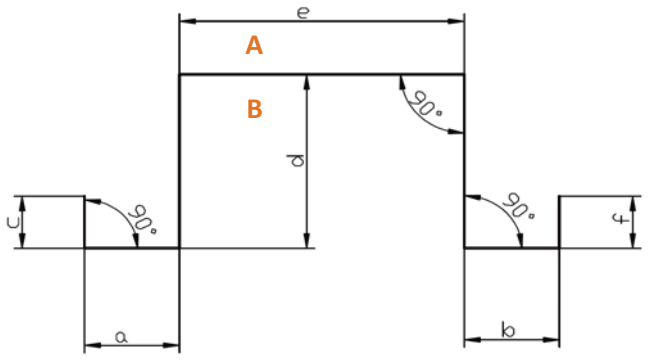
Longitudinal beam 1

Edged part dimensions:		Edged part angle:	
a=	mm		
b=	mm		
c=	mm		
d=	mm		
Edged part length:		L=	mm
Sheet thickness:		t=	mm
RAL colour:			
Coating site:			(A/B)
Number:			pieces



Longitudinal beam 2

Edged part dimensions:		Edged part angle:	
a=	mm		
b=	mm		
c=	mm		
d=	mm		
e=	mm		
f=	mm		
Edged part length:		L=	mm
Sheet thickness:		t=	mm
RAL colour:			
Coating site:			(A/B)
Number:			pieces



Individual edged parts on customer request

We produce individual edged parts in accordance with your specifications. We also manufacture conical edged parts according to your design.

Edged part dimensions:		Edged part angle:		Space for your sketch:
a=	mm	α =	°	
b=	mm	β =	°	
c=	mm	γ =	°	
d=	mm	δ =	°	
e=	mm	ε =	°	
f=	mm	ζ =	°	
Edged part length:		L=	mm	
Sheet thickness:		t=	mm	
RAL colour:				
Coating site:		(A/B)		
Number:		pieces		

Edged part dimensions:		Edged part angle:		Space for your sketch:
a=	mm	α =	°	
b=	mm	β =	°	
c=	mm	γ =	°	
d=	mm	δ =	°	
e=	mm	ε =	°	
f=	mm	ζ =	°	
Edged part length:		L=	mm	
Sheet thickness:		t=	mm	
RAL colour:				
Coating site:		(A/B)		
Number:		pieces		

Edged part dimensions:		Edged part angle:		Space for your sketch:
a=	mm	α =	°	
b=	mm	β =	°	
c=	mm	γ =	°	
d=	mm	δ =	°	
e=	mm	ε =	°	
f=	mm	ζ =	°	
Edged part length:		L=	mm	
Sheet thickness:		t=	mm	
RAL colour:				
Coating site:		(A/B)		
Number:		pieces		

Coils

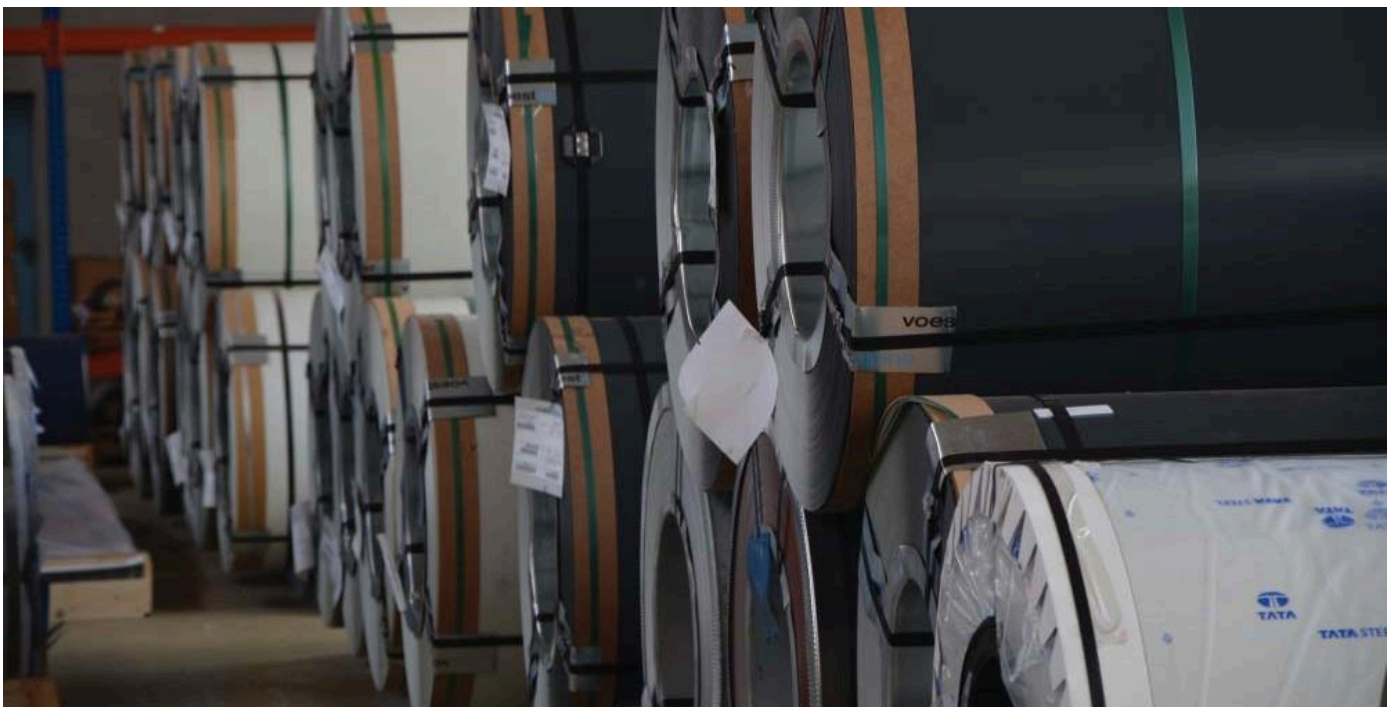
We also deliver small coils in all Taborsky RAL standard colours. The small coils are produced according to your specifications. We can offer you 2 different internal diameters for small coils with our recoiling line. Please see our colour card for the RAL standard colours. A protective film is applied to the coating side upon request. Our sales team will be happy to answer any questions you may have at any time!

Width	Length	Internal diameter	RAL colours	Sheet thickness
1200mm	8–30m	333mm	Taborsky RAL standard colours	0.5–1mm
1200mm	30–400m	506mm	Taborsky RAL standard colours	0.5–1mm

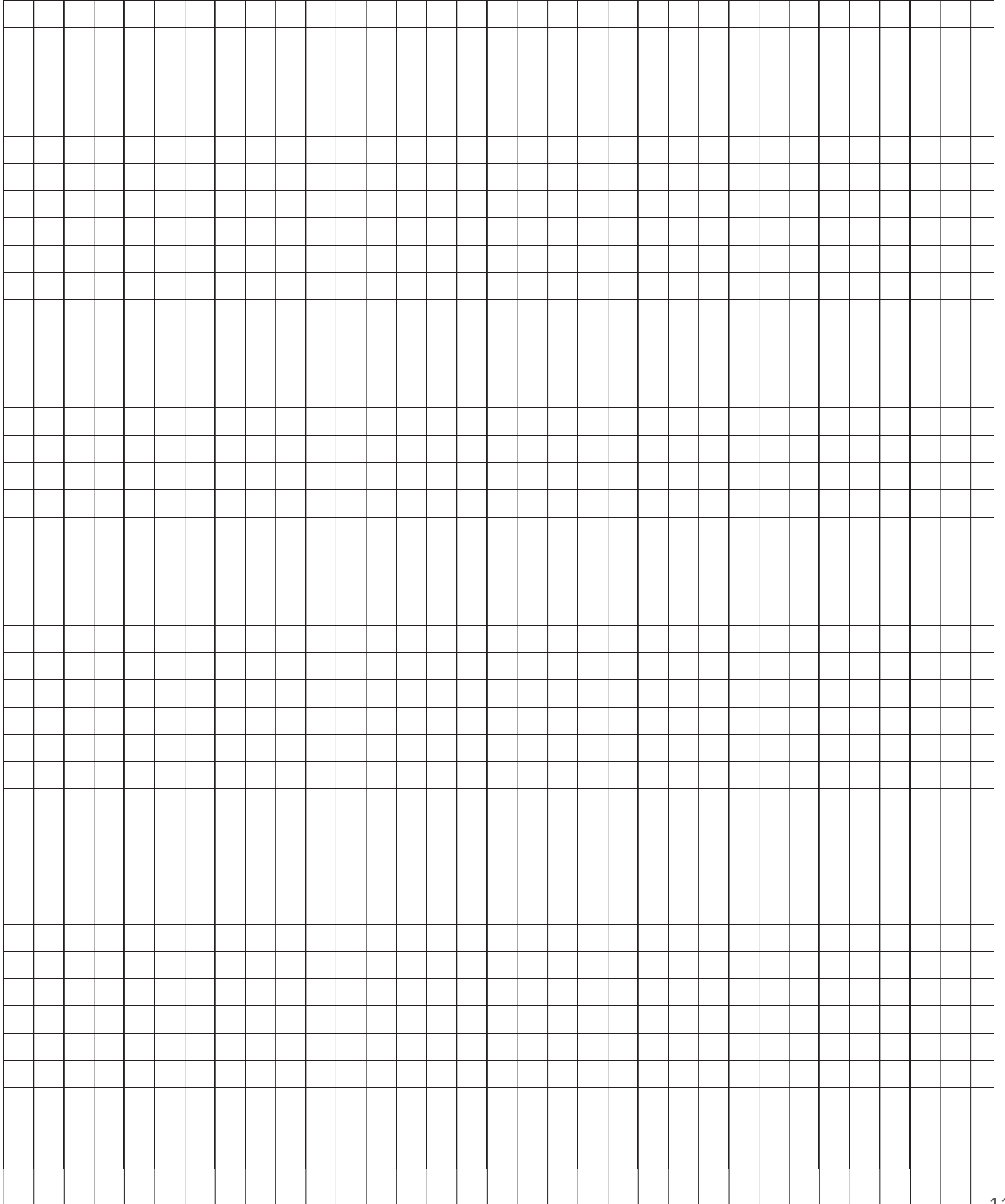
Sheet metal

We also deliver sheet metal in all Taborsky RAL standard colours with a protective film on the coating side.

Width	Length	RAL colours	Sheet thickness
1200 mm	max. 6m	Taborsky RAL standard colours	0.5–1mm



Notes

A large grid of graph paper for taking notes, consisting of 20 columns and 30 rows of small squares.

Taborsky Vertriebsges.m.b.H. & Co KG

A-2440 Gramatneusiedl

Hans Taborsky-Straße 2

Telefon +43 (0) 2234 74008

Telefax +43 (0) 2234 74008 27

www.taborskyprofil.com

office@taborskyprofil.com



www.TABORSKYPROFIL.com